



Parts Manual

Mfg. No: 030211-1
6,200 Watt Briggs & Stratton

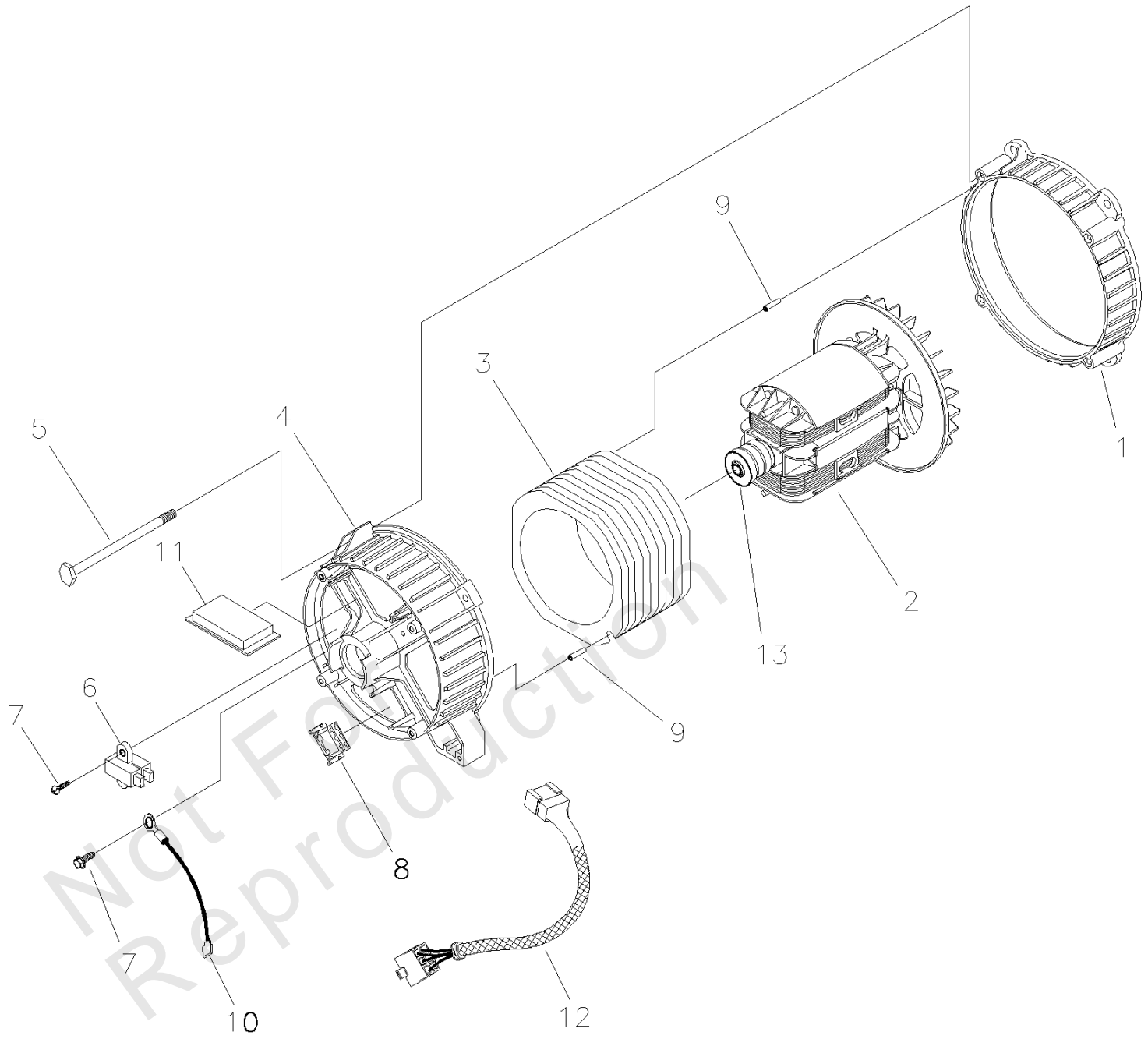
Model Components	Page
Alternator (194087).....	4
Control Panel (191780).....	6
Main Unit (196820).....	8
Wheel Kit (190312).....	12
Wiring Diagram (196817WD).....	14
Wiring Schematic (196817WS).....	16
Torque Specification Chart.....	18

Not For
Reproduction

Alternator (194087)

Note: Unless noted otherwise, use the standard torque specifications

Mfg. No: 030211-1



Alternator (194087)

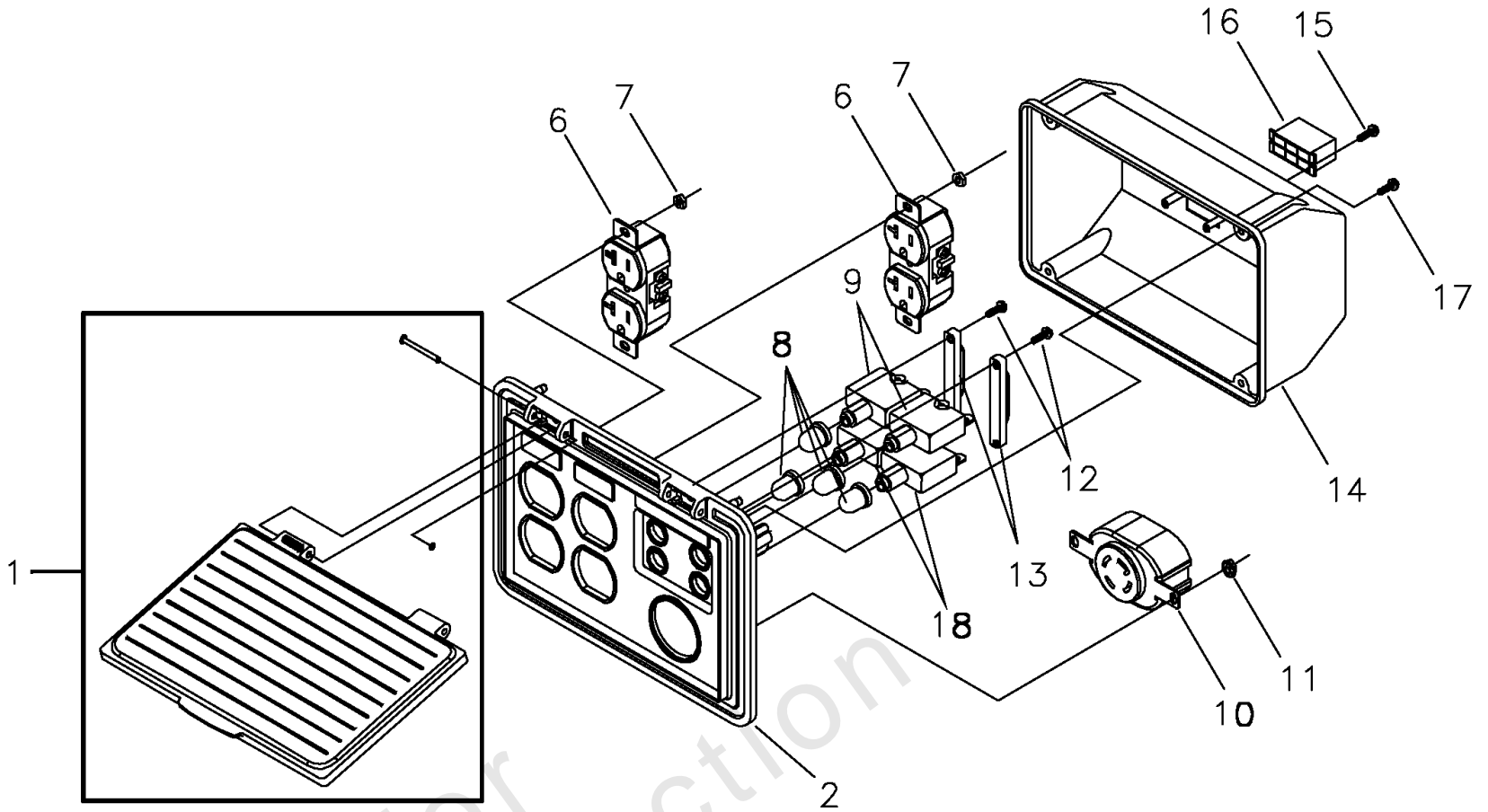
REF NO	PART NO	QTY	DESCRIPTION
1	186059GS		ADAPTER, Mounting, Alternator
2	191876GS		ROTOR (Includes Item 13)
3	194006AGS		STATOR
4	186060GS		RBC, (with O-Ring, p/n 189197GS)
5	86308HGS		HHCJ., M6 - 1.0 x 140 HEMS
6	66386GS		ASSY, Holder, Brush
7	66849GS		TAPTITE, M5 - 0.8 x 16
8	22694GS		RECEPTACLE, 6 pin
9	81917GS		PIN, Roll, 4mm x 10
10	193428AGS		ASSY, Wire, Ground
11	189769GS		REGULATOR, Voltage, AVR
12	194274GS		HARNESS, Wire, Power
13	65791GS		BEARING

Not For
Reproduction

Control Panel (191780)

Note: Unless noted otherwise, use the standard torque specifications

Mfg. No: 030211-1



Not For
Reproduction

Control Panel (191780)

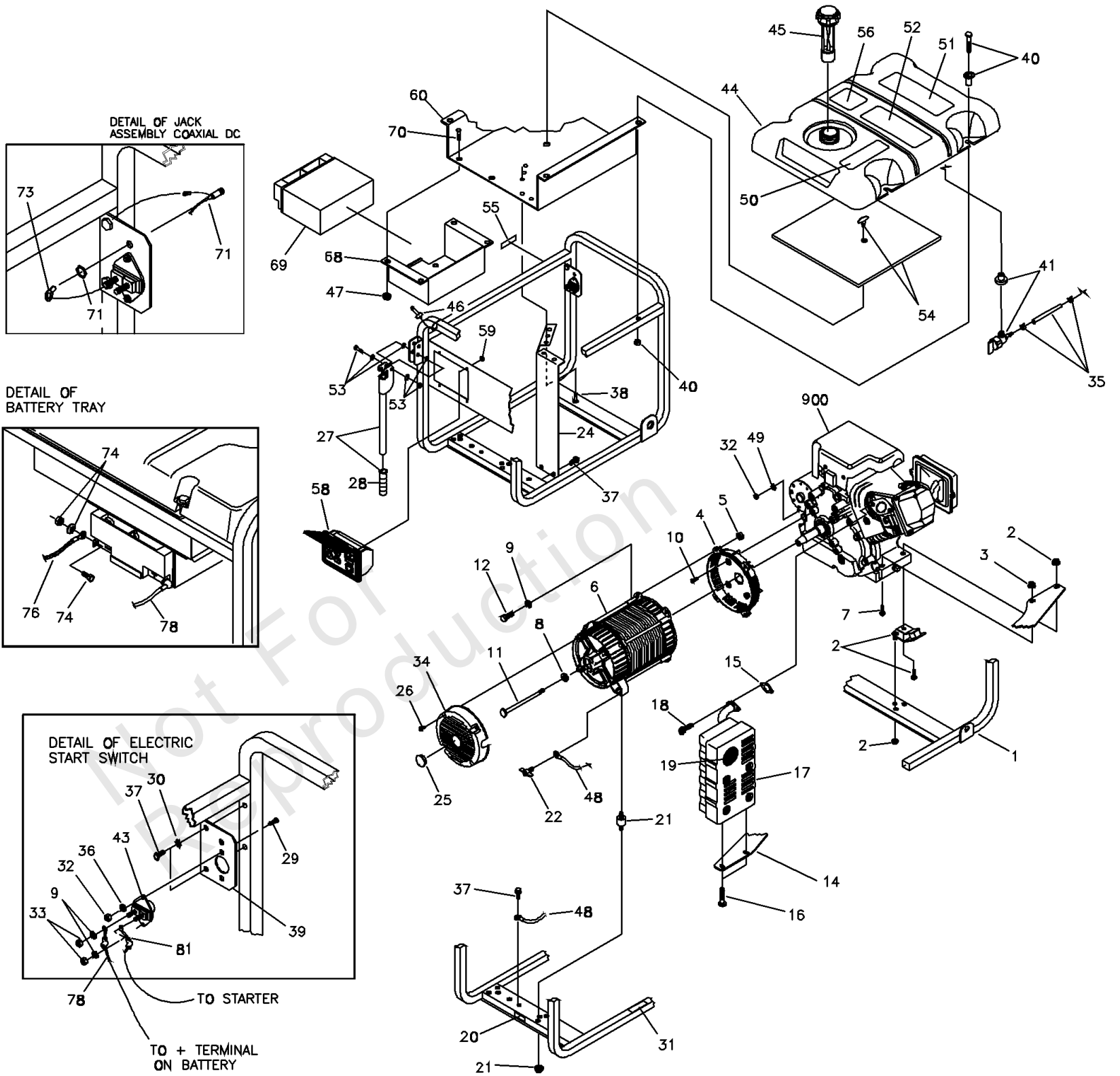
REF NO	PART NO	QTY	DESCRIPTION
1	195112GS		KIT, Control Panel Lid
2	191450GS		CONTROL PANEL, Compact
6	68759GS		OUTLET, 120V, 20A, Duplex
7	-		NUT, Palnut, 5/32 -(Purchase Locally)
8	84198GS		CAP, Breaker, Circuit
9	75207AGS		BREAKER, Circuit
10	43437GS		OUTLET, 120/240V Locking, 30A
11	-		NUT, Palnut, 3/16 -(Purchase Locally)
12	-		PPPHS, M3- 0.5 x 18 -(Purchase Locally)
13	93857GS		BAR, Retaining
14	188890GS		COVER, Back, Control Panel
15	82308GS		SCREW, Tapping, STC 3 x 18
16	22694GS		HOUSING, Receptacle
17	192241GS		SCREW, Tapping, 3.5 x 14
18	75207PGS		BREAKER, Circuit

Not For
Reproduction

Main Unit (196820)

Note: Unless noted otherwise, use the standard torque specifications

Mfg. No: 030211-1



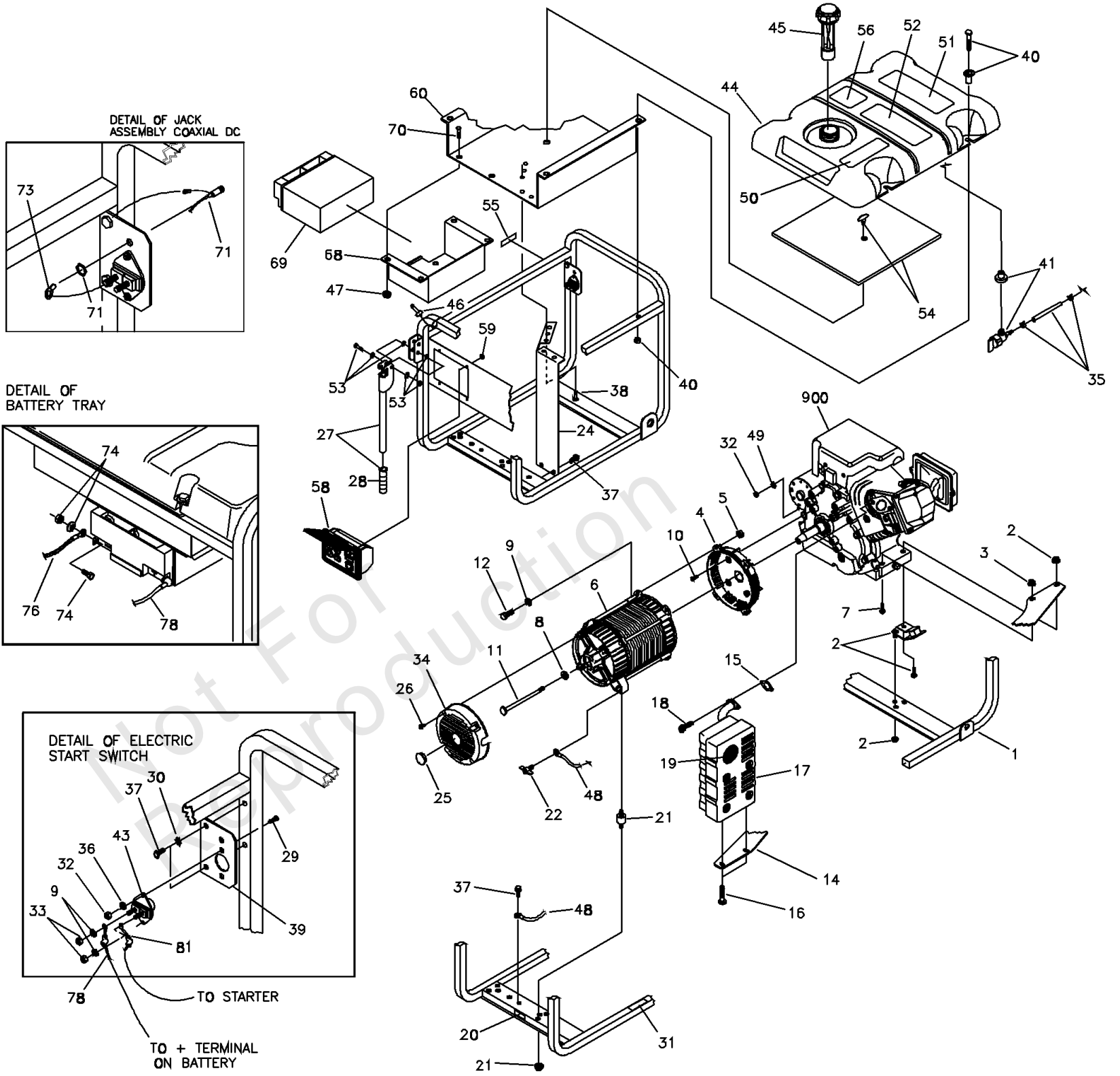
Main Unit (196820)

REF NO	PART NO	QTY	DESCRIPTION
1	M197464GS		CRADLE (Includes Items 20, 31 & 55)
2	194150GS		KIT, Vibration Mount
3	-		NUT, M8 Flange Serrated -Purchase locally
4	190220GS		HOUSING, Engine Adapter
5	-		NUT, Hex, M8-1.25 -Purchase locally
6	~NSP		ASSY, Alternator (see page 4)
7	-		TPHMS, M8 - 1.25 x 35 -Purchase locally
8	96796GS		WASHER, 8.4 x 22.2 x 3
9	-		WASHER, Lock M8 -Purchase locally
10	190274DGS		SBHCS, 3/8-16 x 7/8
11	187365FGS		HHCS, 5/16-24 x 7.44
12	-		HHCS, M8 1.25 x 25 -Purchase locally
14	189009GS		BRACKET, Muffler
15	695398		GASKET, Exhaust
16	-		HHCS, M6-1.0 x 12 -Purchase locally
17	189008GS		MUFFLER
18	-		SHCS, 5/16 - 18 x 7/8" -Purchase locally
19	83083GS		SCREEN, Spark Arrest
20	B4986GS		DECAL, Ground
21	194153GS		KIT, Vibration, Mount
22	86494GS		SCREW, Wing M6 - 1.0 x 16
24	194390GS		SHIELD, Heat
25	191190GS		CAP
26	74908GS		TAPTITE, M5-0.8 x 10
27	B193200GS		ASSY, Handle/Grip
28	198669GS		GRIP
29	-		HHCS, 1/4-20 x 3/4 -Purchase locally
30	-		WASHER, Shakeproof, Ext #10 -Purchase locally
31	196830GS		DECAL, Hot Muffler
32	-		NUT, 1/4 - 20 -Purchase locally
33	-		NUT, 5/16-24 -Purchase locally
34	195422GS		COVER, RBC w/Cap
35	791745		KIT, Fuel Hose (cut to fit)
36	-		WASHER, Lock, 1/4 -Purchase locally
37	B2153GS		SCREW, 12-14 x 7/8 Self Drilling
38	56893GS		SCREW, 10-24 x 1/2 Crimptite
39	188987GS		PLATE, Mounting Switch
40	195477GS		KIT, Hardware Tank Fuel (Includes Qty 4)
41	192980GS		KIT, Valve, Tank
43	77282GS		SWITCH, Starter
44	194217GS		ASSY., Tank, Fuel (Includes Items 41, 50, 51, 52 & 56)
45	B4363GS		CAP, Fuel Gauge
46	B4135GS		PIN

Main Unit (196820)

Note: Unless noted otherwise, use the standard torque specifications

Mfg. No: 030211-1



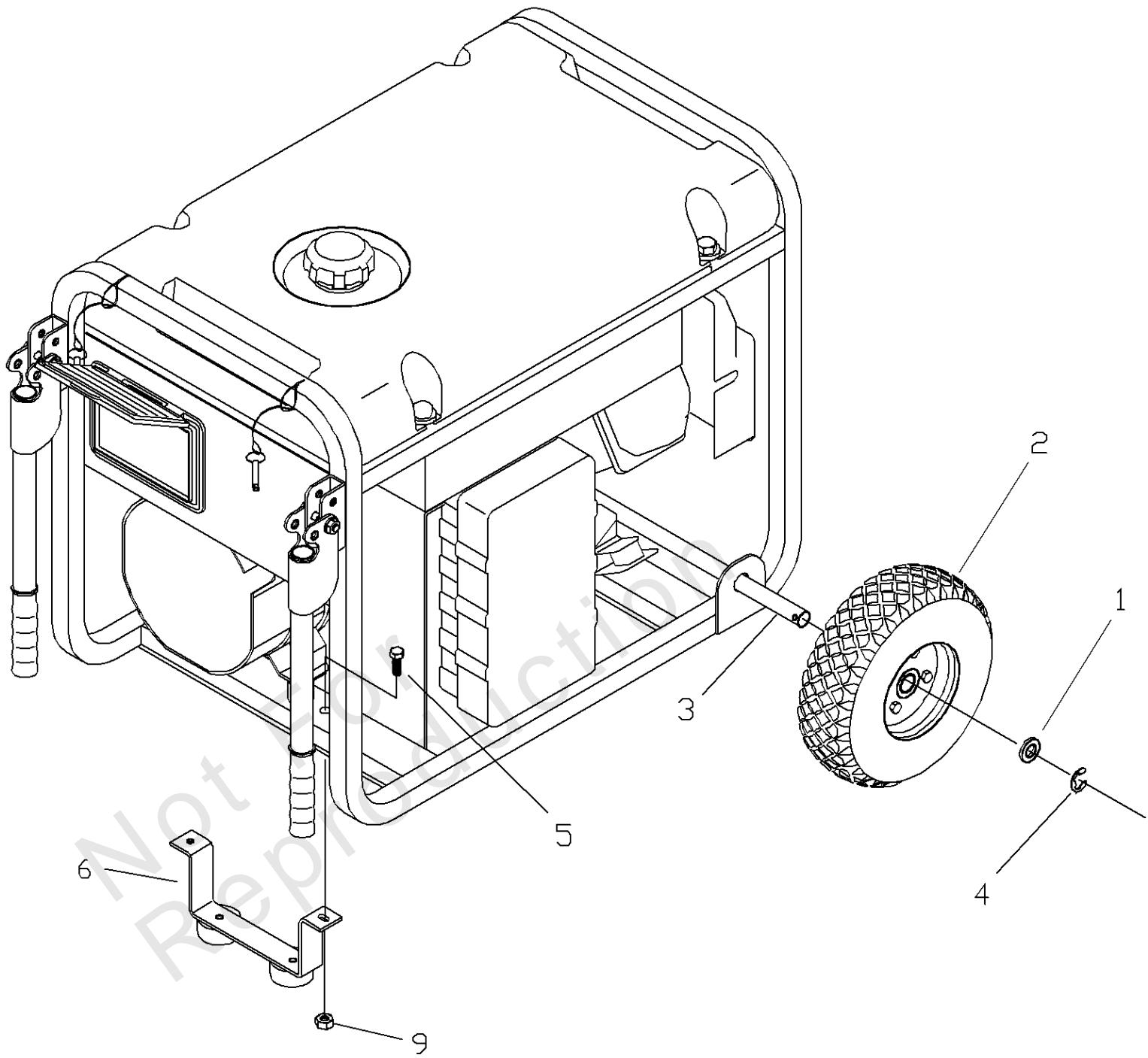
Main Unit (196820)

REF NO	PART NO	QTY	DESCRIPTION
47	77395GS		NUT, M6 Flange Lock
48	195373GS		WIRE, Ground
49	-		WASHER, M6 Shakeproof -Purchase locally
50	188333GS		DECAL, Instruction, Fuel Level
51	194799GS		DECAL, Danger
52	189235GS		DECAL, Start Instructions
53	194034GS		KIT, Handle Fold-down Hardware
54	194448GS		KIT, Insulation with Clip
55	197798GS		DECAL, Fuel Shut-off
56	202997GS		DECAL, CO Warning
58	191757GS		ASSY, Control Panel
59	-		NUT, Palnut, 3/16" -Purchase locally
60	194389GS		SHIELD, Heat
68	195680GS		TRAY, Battery
69	193043GS		BATTERY
70	-		HHCS, M6 - 1.0 x 12 -Purchase locally
71	192531GS		ASM, Jack, DC
73	58359GS		LUG, 5/16 #22/18 I-S
74	193347GS		KIT, Battery Hardware
76	185939KGS		WIRE ASM, #55
78	189302CGS		WIRE ASM, #13
81	189302GGS		WIRE ASM, #16
900	-		ENGINE -Contact Engine Manufacturer
	MS3430		MANUAL, Engine, B&S -Parts Not Illustrated
	195529GS		MANUAL, Operator's -Parts Not Illustrated
	BB3061GS		BOTTLE, Oil -Parts Not Illustrated
	B4177GS		CHARGER, Battery -Parts Not Illustrated
	202180GS		DECAL, Family, CA EVP -Parts Not Illustrated
	195578GS		KIT, Decals Service -Parts Not Illustrated

Wheel Kit (190312)

Note: Unless noted otherwise, use the standard torque specifications

Mfg. No: 030211-1



Wheel Kit (190312)

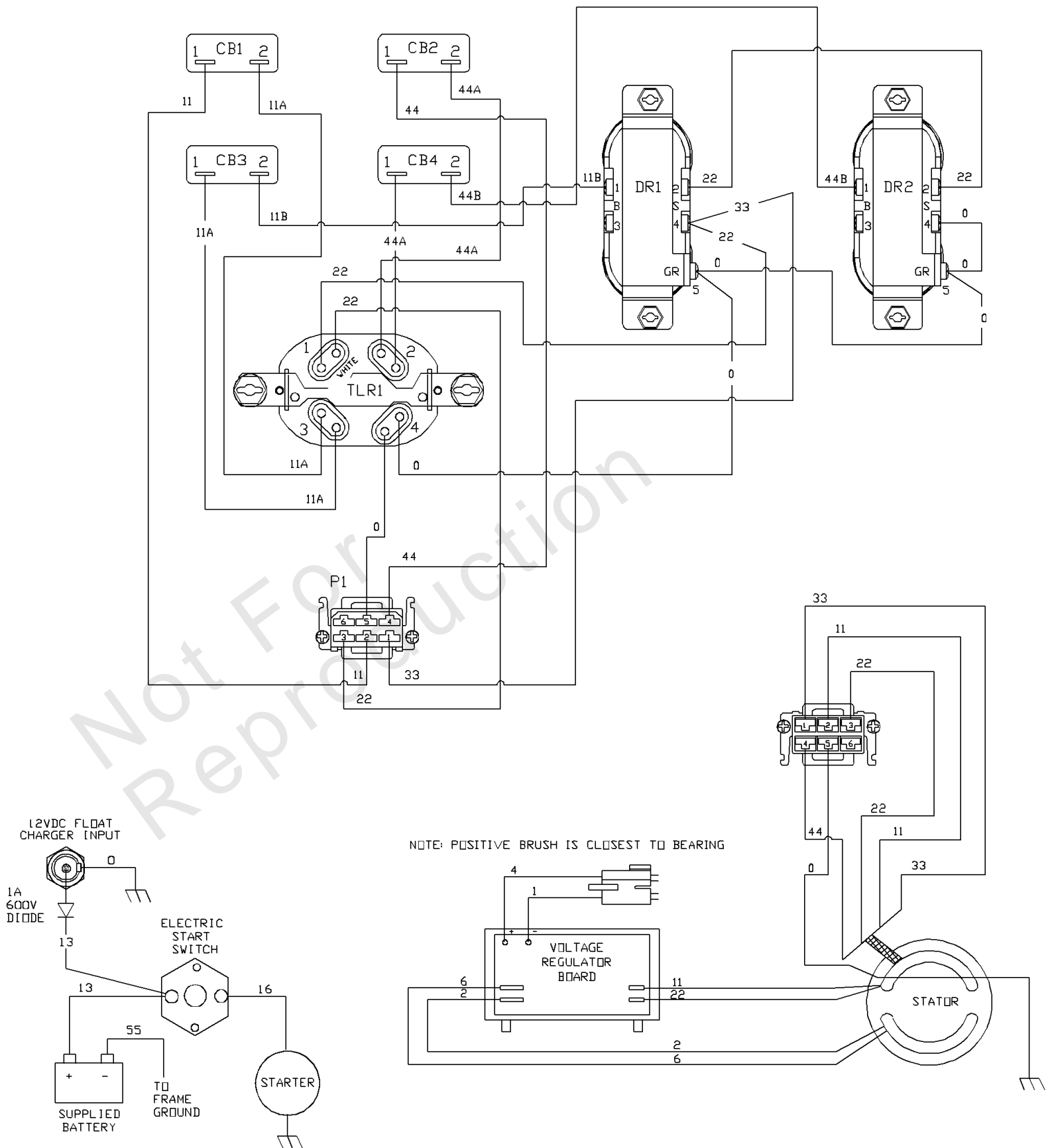
REF NO	PART NO	QTY	DESCRIPTION
1	-		WASHER, 5/8 -Purchase locally
2	B4966GS		WHEEL
3	191267GGS		AXLE
4	191265GS		E-RING
5	-		HHCS, M8 - 1.25 x 20 -Purchase locally
6	204536GS		ASSY, Support w/Mounts
9	67989GS		NUT, M8 - Flange Serrated
--	187046GS		SUBKIT, Hardware -Parts Not Illustrated

Not For
Reproduction

Wiring Diagram (196817WD)

Note: Unless noted otherwise, use the standard torque specifications

Mfg. No: 030211-1



Wiring Diagram (196817WD)

REF NO	PART NO	QTY	DESCRIPTION
--	-		Wiring Diagram Only
--	WARNING		Warning Generator Voltage Could Cause Electrical Shock or Burn Resulting in Death Or Serious Injury. To Avoid Electrical Shock Or Burn Hazard, Please Refer Service To Qualified Personnel.

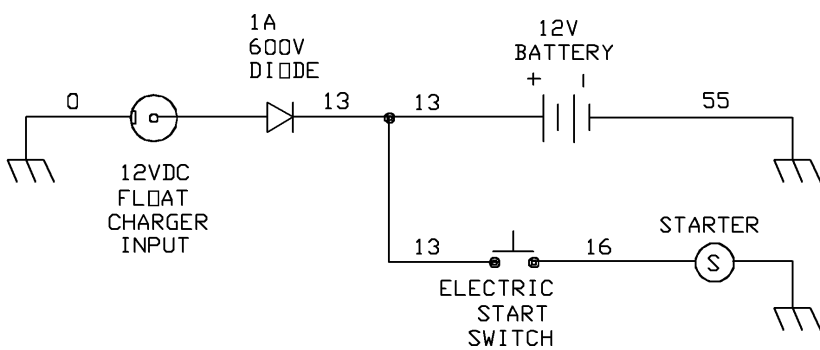
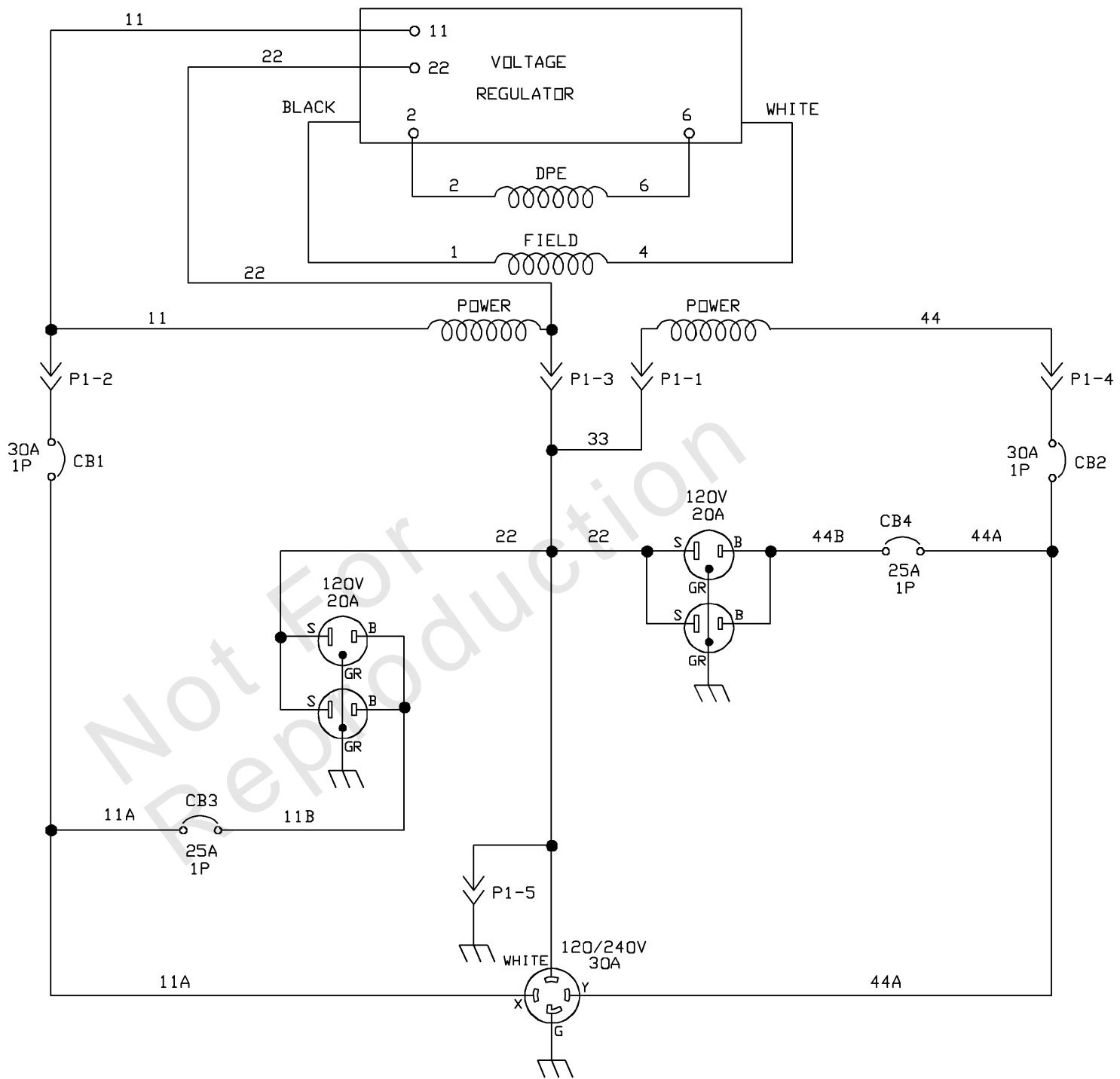
Not For
Reproduction

Wiring Schematic (196817WS)

Note: Unless noted otherwise, use the standard torque specifications

Mfg. No: 030211-1

B-BRASS SCREW
S-SILVER SCREW
GR-GREEN SCREW



Wiring Schematic (196817WS)

REF NO	PART NO	QTY	DESCRIPTION
--	-		Wiring Schematic Only
--	WARNING		Warning Generator Voltage Could Cause Electrical Shock or Burn Resulting in Death Or Serious Injury. To Avoid Electrical Shock Or Burn Hazard, Please Refer Service To Qualified Personnel.

Not For
Reproduction

Hardware Identification & Torque Specifications

Torque Specification Chart								
FOR STANDARD METRIC MACHINE HARDWARE (Tolerance ± 20%)								
Property Class	5.6		8.8		10.9		12.9	
	Class 5.6		Class 8.8		Class 10.9		Class 12.9	
Size Of Hardware	in/lbs	Nm.	in/lbs	Nm.	in/lbs	Nm.	in/lbs	Nm.
	ft/lbs		ft/lbs		ft/lbs		ft/lbs	
M3	5.88	.56	13.44	1.28	19.2	1.80	22.92	2.15
M4	13.44	1.28	30.72	2.90	43.44	4.10	52.56	4.95
M5	26.4	2.50	60.96	5.75	5.97	8.10	7.15	9.7
M6	44.64	4.3	7.3	9.9	10.3	14	12.1	16.5
M7	5.2	7.1	12.1	16.5	16.9	23	19.9	27
M8	7.7	10.5	17.7	24	25	34	29	40
M10	15	21	35	48	50	67	59	81
M12	26	36	61	83	86.2	117	103	140
M14	42	58	101	132	136	185	162	220
M16	64	88	147	200	210	285	250	340
M18	89	121	202	275	287	390	346	470
M20	126	171	290	390	405	550	486	660
M22	169	230	390	530	559	745	656	890
M24	217	295	497	375	708	960	840	1140
M27	320	435	733	995	1032	1400	1239	1680
M30	435	590	995	1350	1401	1900	1681	2280
M33	590	800	1349	1830	1902	2580	2278	3090
M36	759	1030	1740	2360	2441	3310	2935	3980
M39	988	1340	2249	3050	3163	4290	3798	5150

Torque Specification Chart						
FOR STANDARD MACHINE HARDWARE (Tolerance ± 20%)						
Hardware Grade	No Marks		SAE Grade 5		SAE Grade 8	
	SAE Grade 2		SAE Grade 5		SAE Grade 8	
Size Of Hardware	in/lbs	Nm.	in/lbs	Nm.	in/lbs	Nm.
	ft/lbs		ft/lbs		ft/lbs	
8-32	19	2.1	30	3.4	41	4.6
8-36	20	2.3	31	3.5	43	4.9
10-24	27	3.1	43	4.9	60	6.8
10-32	31	3.5	49	5.5	68	7.7
1/4-20	66	7.6	8	10.9	12	16.3
1/4-28	76	8.6	10	13.6	14	19.0
5/16-18	11	15.0	17	23.1	25	34.0
5/16-24	12	16.3	19	25.8	29	34.0
3/8-16	20	27.2	30	40.8	45	61.2
3/8-24	23	31.3	35	47.6	50	68.0
7/16-14	30	40.8	50	68.0	70	95.2
7/16-20	35	47.6	55	74.8	80	108.8
1/2-13	50	68.0	75	102.0	110	149.6
1/2-20	55	74.8	90	122.4	120	163.2
9/16-12	65	88.4	110	149.6	150	204.0
9/16-18	75	102.0	120	163.2	170	231.2
5/8-11	90	122.4	150	204.0	220	299.2
5/8-18	100	136	180	244.8	240	326.4
3/4-10	160	217.6	260	353.6	386	525.0
3/4-16	180	244.8	300	408.0	420	571.2
7/8-9	140	190.4	400	544.0	600	816.0
7/8-14	155	210.8	440	598.4	660	897.6
1-8	220	299.2	580	788.8	900	1,244.0
1-12	240	326.4	640	870.4	1,000	1,360.0

The guides and ruler furnished below are designed to help you select the appropriate hardware.

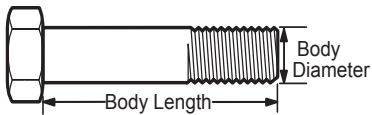


Nut, M8

Thread Diameter (mm)

Inside Diameter (in) Threads per inch

Nut, 1/2-16

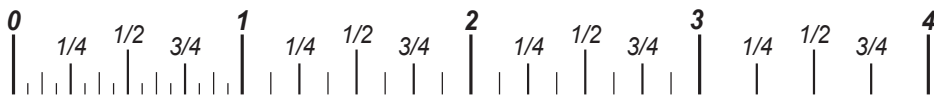


Screw, M8- 1.25 x 25

Thread Diameter (mm) Distance between threads (mm) Body Length (mm)

Body Diameter Threads per inch Body Length (in)

Screw, 1/2- 16 x 2



Standard Hardware Sizing

When a washer or nut is identified as 1/2" (M8), this is the *Nominal size*, meaning the *inside diameter* is 1/2 inch (8mm metric thread diameter); if a second number is present it represents the *threads per inch* (distance between threads).

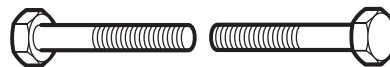
When bolt or capscrew is identified as 1/2 - 16 x 2" (M8 - 1.25 x 50), this means the *Nominal size*, or body diameter is 1/2 inch (8mm metric thread diameter), the second number, 16, represents the *threads per inch*, (*distance between threads*). The final number is the body length of the bolt or screw, 2 inches (50mm).

NOTES

- These torque values are to be used for all hardware excluding: locknuts, self-tapping screws, thread forming screws, sheet metal screws and socket head setscrews.
- Recommended seating torque values for locknuts:
 - for prevailing torque locknuts - use 65% of grade 5 torques.
 - for flange whizlock nuts and screws - use 135% of grade 5 torques.
- Unless otherwise noted on assembly drawings, all torque values must meet this specification.

Common Hardware Types

Hex Head Capscrew



Washer



Carriage Bolt



Hex Nut

Wrench & Fastener Size Guide

1/4" Bolt or Nut Wrench—7/16"	5/16" Bolt or Nut Wrench—1/2"	3/8" Bolt or Nut Wrench—9/16"	7/16" Bolt or Nut Wrench (Bolt)—5/8" Wrench (Nut)—11/16"	1/2" Bolt or Nut Wrench—3/4"
M6 Bolt or Nut Wrench—10mm	M8 Bolt or Nut Wrench—13mm	M10 Bolt or Nut Wrench—17mm	M12 Bolt or Nut Wrench—19mm	M14 Bolt or Nut Wrench—22mm

